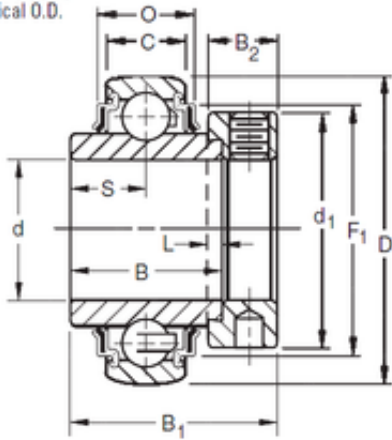




Hydraulic Oil Filter Supplier

KRRB Two Seals
Spherical O.D.



Bearing 2D drawings and 3D CAD models

Heavy duty tractor engine cabin air filter AF55740 PA5696 RE284091

Bearing No.

Size	57.15x110x61.91 mm
Bore Diameter	57,15 mm
Outer Diameter	110 mm
Width	61,91 mm
d	57,15 mm
D	110 mm
B	61,91 mm
C	22 mm
P	26,01 mm
O	30,02 mm
d1	84,1 mm
B1	77,8 mm
B2	22,2 mm
L	6,4 mm
S	31 mm
F1	94,89 mm
Weight	1,715 Kg
Basic dynamic load rating (C)	58,5 kN