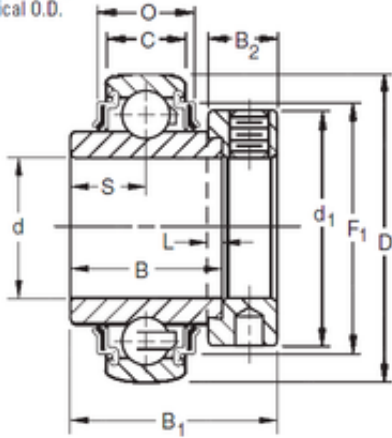




# Hydraulic Oil Filter Supplier

KRRB Two Seals  
Spherical O.D.



Bearing 2D drawings and 3D CAD models

Excavator engine Fuel water separator filter  
5876110071 60282117 8983129180

Bearing No.

Size	57.15x110x61.91 mm
Bore Diameter	57,15 mm
Outer Diameter	110 mm
Width	61,91 mm
d	57,15 mm
D	110 mm
B	61,91 mm
C	22 mm
P	26,01 mm
O	30,02 mm
d1	84,1 mm
B1	77,8 mm
B2	22,2 mm
L	6,4 mm
S	31 mm
F1	94,89 mm
Weight	1,715 Kg
Basic dynamic load rating (C)	58,5 kN