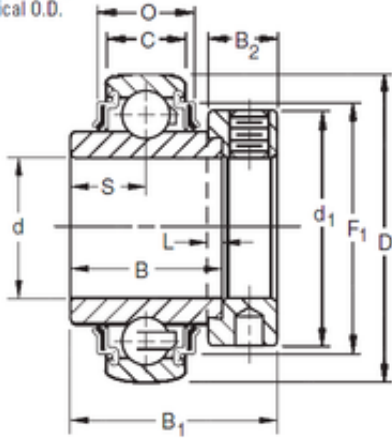




# Hydraulic Oil Filter Supplier

KRRB Two Seals  
Spherical O.D.



Bearing 2D drawings and 3D CAD models

excavator Diesel Heavy Duty Engine oil filter  
FS36268

Bearing No.

Size	57.15x110x61.91 mm
Bore Diameter	57,15 mm
Outer Diameter	110 mm
Width	61,91 mm
d	57,15 mm
D	110 mm
B	61,91 mm
C	22 mm
P	26,01 mm
O	30,02 mm
d1	84,1 mm
B1	77,8 mm
B2	22,2 mm
L	6,4 mm
S	31 mm
F1	94,89 mm
Weight	1,715 Kg
Basic dynamic load rating (C)	58,5 kN